

# UFII Internal Non Submerged System

Product Catalog

## **UFII Internal Non Submerged System**

- UFII Internal
- UFII Internal Kit

※ This catalog does not contain all products of DIO Corporation.  
Please check with your local sales office order products.

## **UFII Internal Non Submerged System**

UFII Int. Non Submerged System      006

UFII Internal Master Kit              036



**UFII Internal  
Non Submerged System**

# UF II Internal Non Submerged System



007

UF II  
Internal  
Fixture  
P- $\varnothing$ 4.8/6.0  
D- $\varnothing$ 3.6/4.0/4.5/5.0/5.5



010

Fixture  
Mount



010

Cover  
Screw



010

Closing  
Screw



011

Healing  
Abutment



## Cement / Screw - Retained Restorations

013

Pick-up  
Impression  
Coping



013

Transfer  
Impression  
Coping



014

Fixture  
Analog



014

Temporary  
Abutment



015

Cemented  
Abutment



016

Extension  
Cemented  
Abutment



017

Angled  
Abutment



018

UCLA  
CCM  
Abutment



019

UCLA  
Plastic  
Abutment



## Cement - Retained Restorations

021

Solid  
Abutment



021

Protect  
Cap



022

Impression  
Cap



022

Positioning  
Cylinder



023

Solid  
Abutment  
Analog



023

Plastic  
Coping



023

Shoulder  
Analog  
& Pin



024

Excellent  
Solid  
Abutment



024

Protect  
Cap



025

Impression  
Cap



025

Excellent  
Solid  
Abutment  
Analog



025

Plastic  
Coping



## Screw - Retained Restorations

027

Octa  
Abutment



027

Healing  
Cap



028

Pick-up  
Impression  
Coping



028

Transfer  
Impression  
Coping



028

Octa  
Abutment  
Analog



029  
Temporary  
Cylinder



029  
Cemented  
Cylinder



030  
Plastic  
Cylinder



Overdenture - Retained Restorations

032  
Ball  
Abutment



032  
Ball  
Abutment  
Analog



033  
Retainer



033  
Ball Cap



033  
O-Ring



# Digital Materials

H-  
Scanbody

034  
Internal



Scan  
Adapter

034  
Internal



Pre-  
Milled  
Bar

034  
Internal



Hybrid  
Link

035  
Internal



Digital  
Fixture  
Analog

035  
Internal  
-Regular



035  
Internal  
-Wide



# Surgical Kit

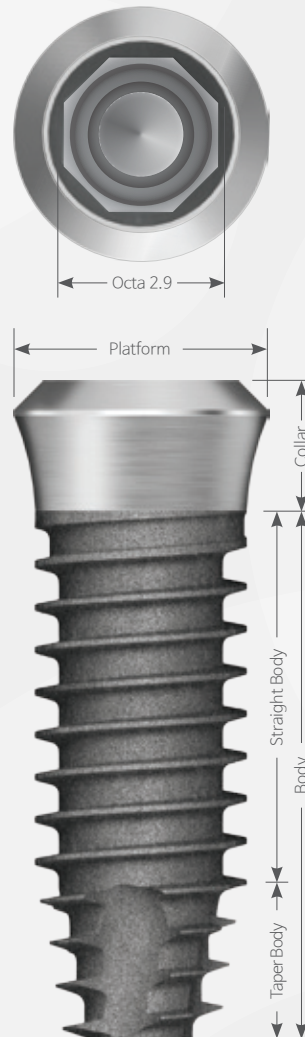
036

UFII Internal Master Kit



# UFII Internal Non Submerged System

## UFII Internal



### **Upper Thread**

A taper thread is applied to straight body, effectively dispersing stress at the top of implant. Threads have higher depth in the apical portion and then decreases gradually into the platform. This design improves blood supply in cortical bone and reduce time of bone formation due to less empty space.

### **Straight Body**

The longer the implant length, the longer the straight body. Therefore, long implant can be placed stably without arousing sudden changes during surgery as in straight type implant.

### **Morse Tapered Connection 8°**

Perfect connection of abutment and fixture is guaranteed. Impact on the fixture is reduced and bone loss is minimized.

### **Taper Body**

A 12° taper is applied for easy initial insertion when undersized implant site is prepared in poor bone density.

### **Cutting Edge**

Self-tapping is maximized by sharp edge.

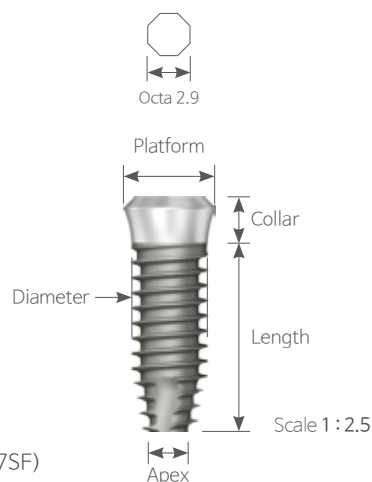
# Non Submerged Fixture

## UFII Internal

P Ø4.8 | Ø6.0  
 D Ø3.6 | Ø4.0 | Ø4.5 | Ø5.0 | Ø5.5  
 L 7 | 8.5 | 10 | 11.5 | 13 | 15

HSA

UV Active



- HSA / Packing Unit : Fixture | Order code : UF ( II ) I 000000SF ( ex : UF ( II ) I 362007SF )  
 Fixture + Cover Screw | Order code : UF ( II ) I 000000S ( ex : UF ( II ) I 362007S )  
 Fixture Mount + Mount Screw + Fixture + Cover Screw | Order code : PUF ( II ) I 000000S ( ex : PUF ( II ) I 362007S )
- UV Active / Packing Unit : Fixture

### N P Ø4.8 D Ø3.6

Unit mm | Scale 1 : 1.5

Length	7	8.5	10	11.5	13	15
--------	---	-----	----	------	----	----



#### Collar 2.0

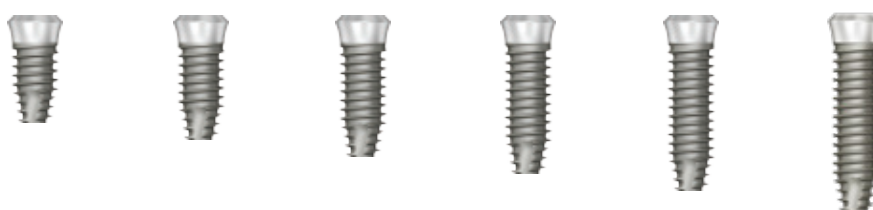
HSA | UF(II)I 362007SF UF(II)I 362008SF UF(II)I 362010SF UF(II)I 362011SF UF(II)I 362013SF UF(II)I 362015SF  
 UV Active | UF(II)I 362007UV3 UF(II)I 362008UV3 UF(II)I 362010UV3 UF(II)I 362011UV3 UF(II)I 362013UV3 -

#### Collar 2.8

HSA | UF(II)I 362807SF UF(II)I 362808SF UF(II)I 362810SF UF(II)I 362811SF UF(II)I 362813SF UF(II)I 362815SF  
 UV Active | UF(II)I 362807UV3 UF(II)I 362808UV3 UF(II)I 362810UV3 UF(II)I 362811UV3 UF(II)I 362813UV3 -

### N P Ø4.8 D Ø4.0

Length	7	8.5	10	11.5	13	15
--------	---	-----	----	------	----	----



#### Collar 1.8

HSA | UF(II)I 401807SF UF(II)I 401808SF UF(II)I 401810SF UF(II)I 401811SF UF(II)I 401813SF UF(II)I 401815SF  
 UV Active | UF(II)I 401807UV3 UF(II)I 401808UV3 UF(II)I 401810UV3 UF(II)I 401811UV3 UF(II)I 401813UV3 -









#### Collar 2.8

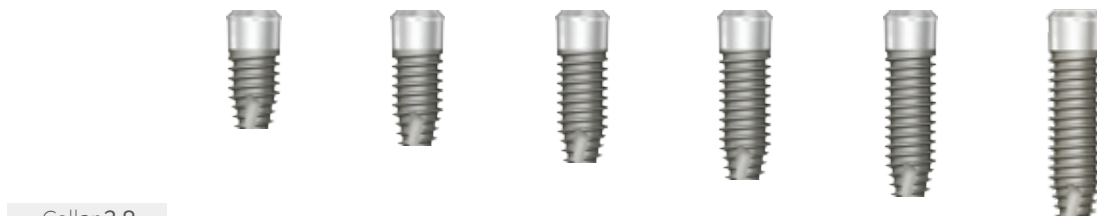
HSA | UF(II)I 402807SF UF(II)I 402808SF UF(II)I 402810SF UF(II)I 402811SF UF(II)I 402813SF UF(II)I 402815SF  
 UV Active | UF(II)I 402807UV3 UF(II)I 402808UV3 UF(II)I 402810UV3 UF(II)I 402811UV3 UF(II)I 402813UV3 -

# Internal Fixture







- HSA / Packing Unit : Fixture | Order code : UF ( II ) I 000000SF ( ex : UF ( II ) I 451807SF )  
 Fixture + Cover Screw | Order code : UF ( II ) I 000000S ( ex : UF ( II ) I 451807S )  
 Fixture Mount + Mount Screw + Fixture + Cover Screw | Order code : PUF ( II ) I 000000S ( ex : PUF ( II ) I 451807S )
- UV Active / Packing Unit : Fixture

<b>N P Ø4.8 D Ø4.5</b>		Unit mm   Scale 1 : 1.5				
Length	7	8.5	10	11.5	13	15
						

Collar 1.8		Unit mm   Scale 1 : 1.5				
HSA	UF ( II ) I 451807SF	UF ( II ) I 451808SF	UF ( II ) I 451810SF	UF ( II ) I 451811SF	UF ( II ) I 451813SF	UF ( II ) I 451815SF
UV Active	UF ( II ) I 451807UV3	UF ( II ) I 451808UV3	UF ( II ) I 451810UV3	UF ( II ) I 451811UV3	UF ( II ) I 451813UV3	-



Collar 2.8		Unit mm   Scale 1 : 1.5				
HSA	UF ( II ) I 452807SF	UF ( II ) I 452808SF	UF ( II ) I 452810SF	UF ( II ) I 452811SF	UF ( II ) I 452813SF	UF ( II ) I 452815SF
UV Active	UF ( II ) I 452807UV3	UF ( II ) I 452808UV3	UF ( II ) I 452810UV3	UF ( II ) I 452811UV3	UF ( II ) I 452813UV3	-

<b>N P Ø6.0 D Ø4.5</b>		Unit mm   Scale 1 : 1.5				
Length	7	8.5	10	11.5	13	15
						

Collar 1.8		Unit mm   Scale 1 : 1.5				
HSA	UF ( II ) IW 451807SF	UF ( II ) IW 451808SF	UF ( II ) IW 451810SF	UF ( II ) IW 451811SF	UF ( II ) IW 451813SF	UF ( II ) IW 451815SF
UV Active	UF ( II ) IW 451807UV3	UF ( II ) IW 451808UV3	UF ( II ) IW 451810UV3	UF ( II ) IW 451811UV3	UF ( II ) IW 451813UV3	-



Collar 2.8		Unit mm   Scale 1 : 1.5				
HSA	UF ( II ) IW 452807SF	UF ( II ) IW 452808SF	UF ( II ) IW 452810SF	UF ( II ) IW 452811SF	UF ( II ) IW 452813SF	UF ( II ) IW 452815SF
UV Active	UF ( II ) IW 452807UV3	UF ( II ) IW 452808UV3	UF ( II ) IW 452810UV3	UF ( II ) IW 452811UV3	UF ( II ) IW 452813UV3	-



**N P Ø6.0 D Ø5.0**

Unit mm | Scale 1 : 1.5

Length	7	8.5	10	11.5	13	15
						

Collar 1.8

HSA | UF(II)IW 501807SF UF(II)IW 501808SF UF(II)IW 501810SF UF(II)IW 501811SF UF(II)IW 501813SF UF(II)IW 501815SF  
 UV Active | UF(II)IW 501807UV3 UF(II)IW 501808UV3 UF(II)IW 501810UV3 UF(II)IW 501811UV3 UF(II)IW 501813UV3 -

						
--	---	--	--	--	--	--

Collar 2.8

HSA | UF(II)IW 502807SF UF(II)IW 502808SF UF(II)IW 502810SF UF(II)IW 502811SF UF(II)IW 502813SF UF(II)IW 502815SF  
 UV Active | UF(II)IW 502807UV3 UF(II)IW 502808UV3 UF(II)IW 502810UV3 UF(II)IW 502811UV3 UF(II)IW 502813UV3 -

**N P Ø6.0 D Ø5.5**

Unit mm | Scale 1 : 1.5

Length	7	8.5	10	11.5	13	15
						

Collar 1.8

HSA | UF(II)IW 551807SF UF(II)IW 551808SF UF(II)IW 551810SF UF(II)IW 551811SF UF(II)IW 551813SF UF(II)IW 551815SF  
 UV Active | UF(II)IW 551807UV3 UF(II)IW 551808UV3 UF(II)IW 551810UV3 UF(II)IW 551811UV3 UF(II)IW 551813UV3 -

						
--	---	---	---	---	---	---

Collar 2.8

HSA | UF(II)IW 552807SF UF(II)IW 552808SF UF(II)IW 552810SF UF(II)IW 552811SF UF(II)IW 552813SF UF(II)IW 552815SF  
 UV Active | UF(II)IW 552807UV3 UF(II)IW 552808UV3 UF(II)IW 552810UV3 UF(II)IW 552811UV3 UF(II)IW 552813UV3 -

# Fixture Mount

- Packing Unit : Fixture Mount + Abutment Screw (STN 2008H)
- Uses Mount Driver (MHDC 2520, MHDR 2513A)



**N**

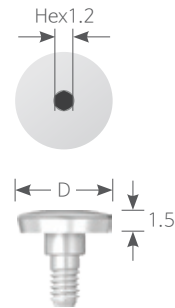
Unit mm | Scale 1:2

Fixture Platform	Ø4.8	Ø6.0
------------------	------	------

ITI 48014Y

# Cover Screw

- Uses 1.2 Hex Driver
- Tightening Torque : 5~8Ncm



**N**

Height 1.5 Hex 1.2

Unit mm | Scale 1:2

Fixture Platform	Ø4.8	Ø6.0
Diameter	Ø5.0	Ø6.5

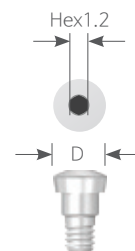
AHI 48601H

AHI 60651H

# Closing Screw

▶ Used for narrow area after the surgery or to protect implant connection area.

- Uses 1.2 Hex Driver
- Tightening Torque : 5~8Ncm



**N**

Hex 1.2

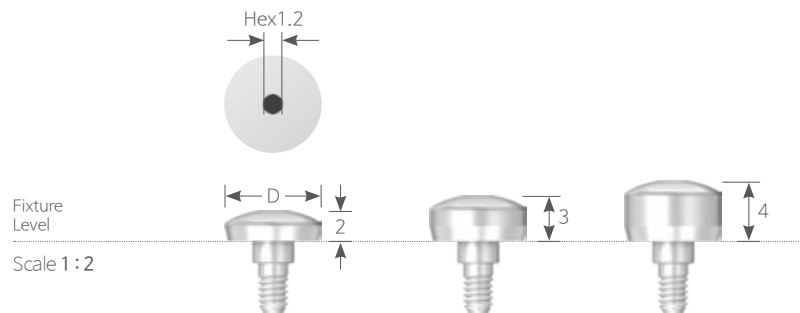
Unit mm | Scale 1:2

Diameter	Ø3.5
----------	------

CHI 4800NH

# Healing Abutment



- Uses 1.2 Hex Driver
- Tightening Torque : 5~8Ncm



## **N** Hex 1.2

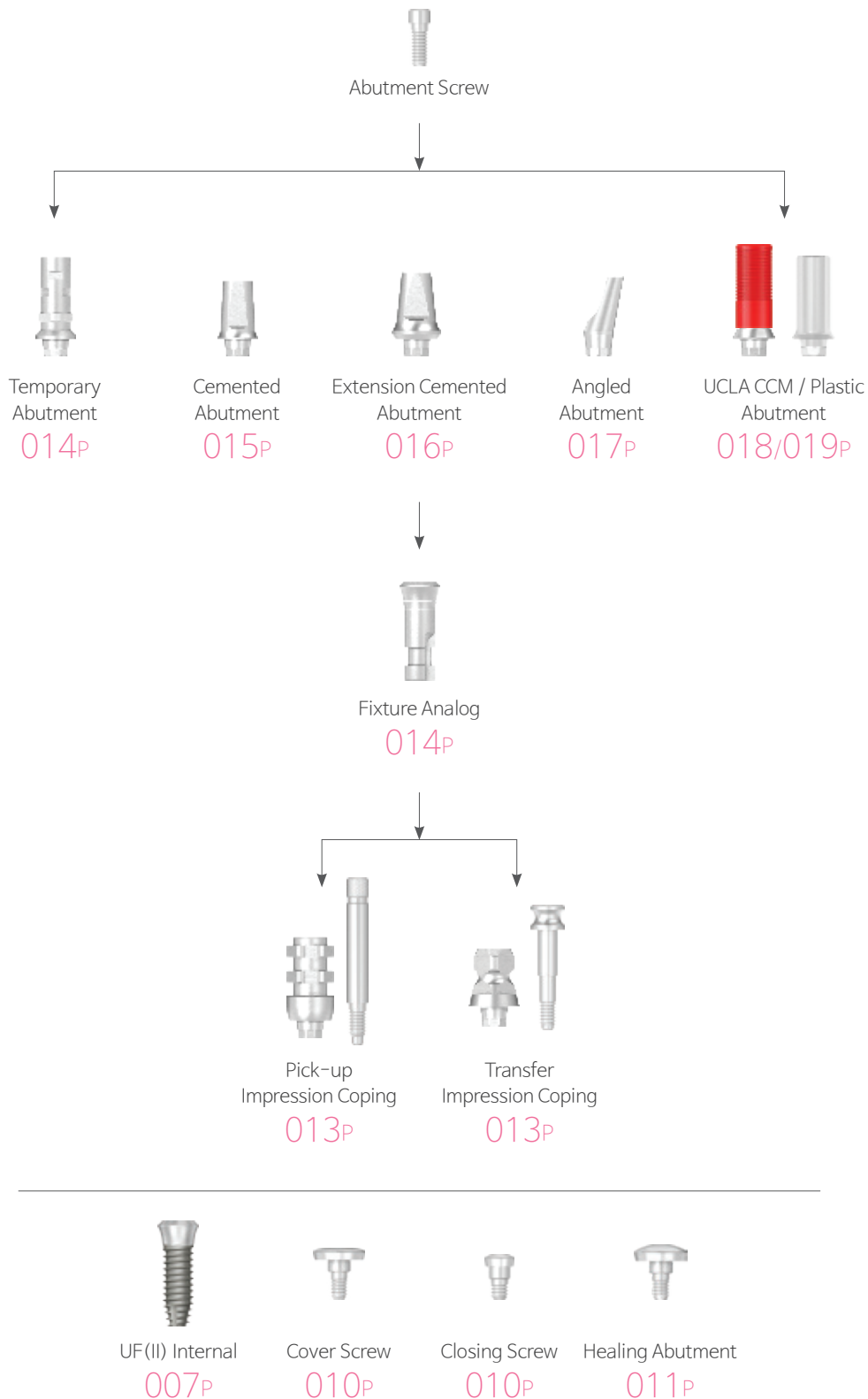
Unit mm | Scale 1 : 1.25

Fixture Platform	Ø4.8	Ø6.0
Diameter	Ø5.5	Ø6.5

		
Height 2	AHI 48602H	AHI 60652H
3	AHI 48603H	AHI 60653H
4	AHI 48604H	AHI 60654H

# Cement / Screw – Retained Restorations

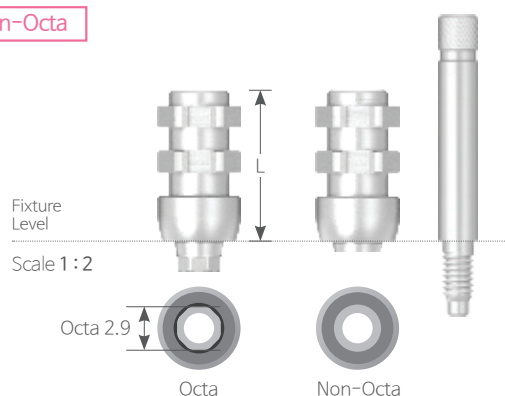
Temporary / Cemented (Extension) / Angled / UCLA Abutment



# Abutment Components

## Pick-up Impression Coping Octa Non-Octa

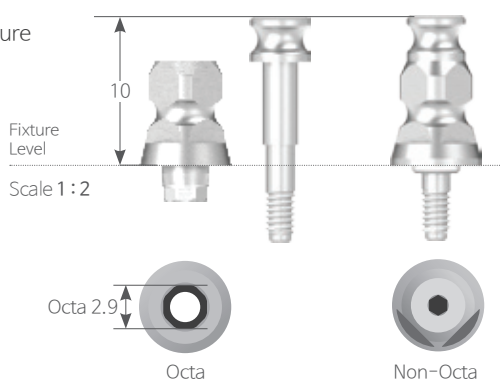
- Single Case for Octa Type  
Bridge Case for Non-Octa Type
- Custom tray is used for pick-up type of impression taking
- Uses 1.2 Hex Driver
- Packing Unit : Pick-up Impression Coping + Guide Pin



<b>N</b>						Unit mm
Fixture Platform	Ø4.8		Ø6.0		Guide Pin	
Type	Octa	Non-Octa	Octa	Non-Octa		
Length 6	IPI 48008Y	IPI 48008N	IPI 60008Y	IPI 60008N	PMN 40310	
10	IPI 48012Y	IPI 48012N	IPI 60012Y	IPI 60012N	PMN 40315	

## Transfer Impression Coping Octa Non-Octa

- Ready-made tray is used for transfer type of impression taking.
- Circular triangle structure increases quality
- Octa type is two-piece structure, Non-Octa type is One-piece structure
- Uses 1.2 Hex Driver
- Packing Unit :
- Octa Type - Transfer Impression Coping + Coping Screw (ITI 48010S)
- Non-Octa Type - Transfer Impression Coping

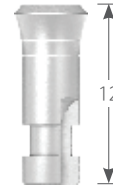


<b>N</b> Length 10						Unit mm
Fixture Platform	Ø4.8		Ø6.0		Guide Pin	
Type	Octa	Non-Octa	Octa	Non-Octa		
	ITI 48010Y	ITI 48010N	ITI 60010Y	ITI 60010N		

# Abutment Components

## Fixture Analog

► Providing anchor point for fabricating implant prosthetics on working model.



**N** Length 12

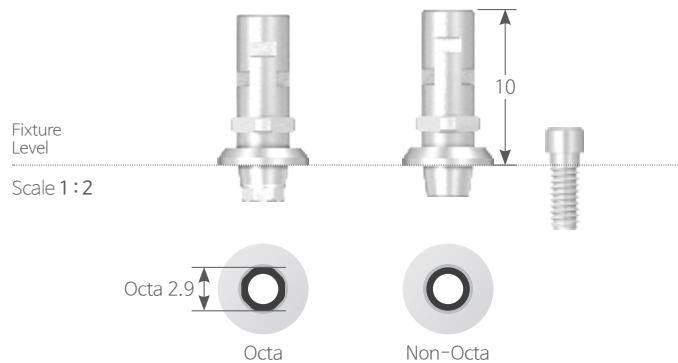
Unit mm | Scale 1 : 2

Fixture Platform	Ø4.8	Ø6.0
Type	Octa	
	RMI 48012Y	RMI 60012Y

## Temporary Abutment Octa Non-Octa

► Used when temporary prosthesis is made

- A protruding part and undercut make higher fixation forces with acrylic material
- Temporary restoration can be worked in the patient's mouth (direct method) or on a work model (indirect method).
- Uses 1.2 Hex Driver
- Packing Unit : Abutment + Abutment Screw (STN 2008H)
- Tightening Torque : 35Ncm



**N** Length 10

Unit mm | Scale 1 : 1.25

Fixture Platform	Ø4.8		Ø6.0	
Type	Octa	Non-Octa	Octa	Non-Octa



ITA 48010Y



ITA 48010N



ITA 60010Y

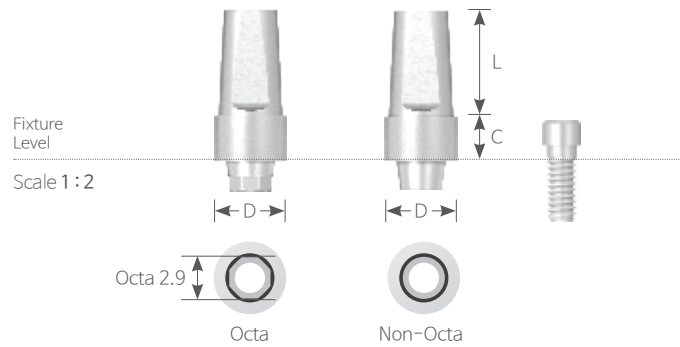


ITA 60010N

# Cemented Abutment Octa Non-Octa

► For cement retained prosthesis

- Uses 1.2 Hex Driver
- Packing Unit : Abutment + Abutment Screw (STN 2008H)
- Tightening Torque : 35Ncm



<b>N</b>		Unit mm   Scale 1 : 1.25	
Fixture Platform		Ø4.8	Ø6.0
Diameter		Ø4.8	Ø5.3
Type		Octa	Non-Octa

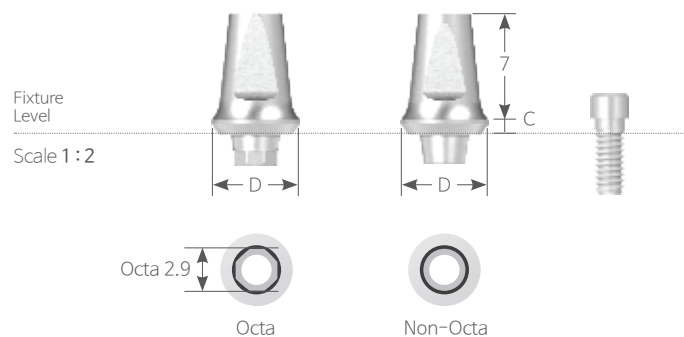


Cuff 0	Length 4	-	-	AMI 60004Y	AMI 60004N
	5	-	-	AMI 60005Y	AMI 60005N
	7	AMI 48007Y	AMI 48007N	-	-
Cuff 1	Length 7	AMI 48017Y	AMI 48017N	-	-
	2	AMI 48027Y	AMI 48027N	-	-
	3	AMI 48037Y	AMI 48037N	-	-

# Extension Cemented Abutment Octa Non-Octa

► Used to modify path or shape of the abutment

- Uses 1.2 Hex Driver
- Packing Unit : Abutment + Abutment Screw (STN 2008H)
- Tightening Torque : 35Ncm



## **N** Length 7

Unit mm | Scale 1 : 1.25

Fixture Platform	ø4.8				ø6.0	
Diameter	ø5.0		ø5.8		ø6.0	
Type	Octa	Non-Octa	Octa	Non-Octa	Octa	Non-Octa



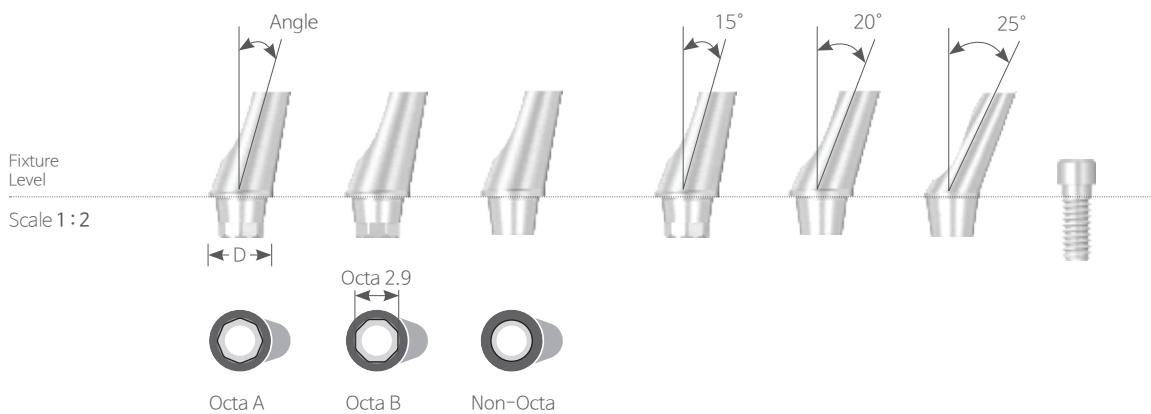
Cuff 0	AEI 48007Y	AEI 48007N	-	-	-	-
1	-	-	AEI 48017Y	AEI 48017N	AEI 60017Y	AEI 60017N
2	-	-	AEI 48027Y	AEI 48027N	-	-
3	-	-	AEI 48037Y	AEI 48037N	AEI 60037Y	AEI 60037N



# Angled Abutment Octa Non-Octa

► Used to modify the path of the fixture. It is mainly used for anterior region.

- Depending on the angle slope, it is categorized into 15° and 25°/20° Angled Abutment.
- Availability of A type and B type of octa part overcomes the limitation of direction of the abutment
- Uses 1.2 Hex Driver
- Packing Unit : Abutment + Abutment Screw (STN 2008H)
- Tightening Torque : 35Ncm



**N**

Unit mm | Scale 1 : 1.25

Fixture Platform	Ø4.8			Ø6.0		
Diameter	Ø3.6			Ø4.3		
Type	Octa A	Octa B	Non-Octa	Octa A	Octa B	Non-Octa

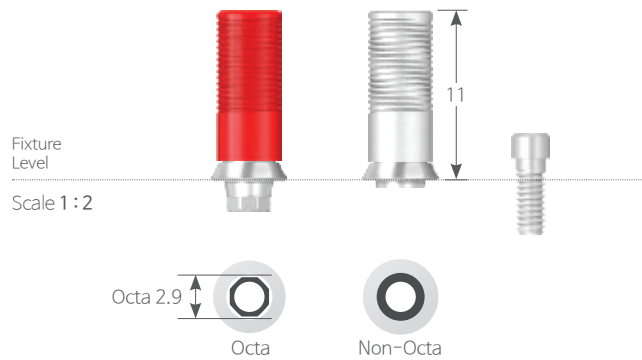


Angle 15°	AAI 35015YA	AAI 35015YB	AAI 35015	AAI 43015YA	AAI 43015YB	AAI 43015
20°	-	-	-	AAI 43020YA	AAI 43020YB	AAI 43020
25°	AAI 35025YA	AAI 35025YB	AAI 35025	-	-	-

# UCLA Abutment Octa Non-Octa

## UCLA CCM Abutment

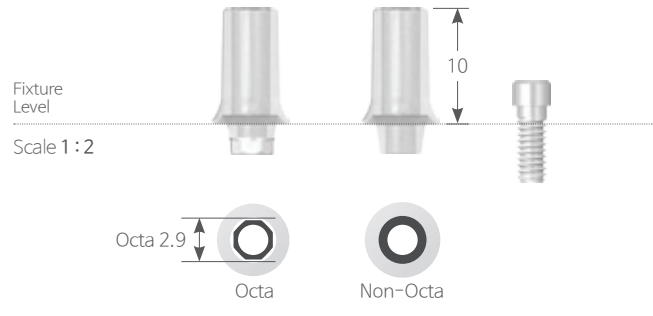
- After the customization, **non-precious metal alloy will be casted only.**
- Uses 1.2 Hex Driver
- Packing Unit : Abutment + Abutment Screw (STN 2008H)
- Tightening Torque : 30~35Ncm



<b>N</b> Length 11		Unit mm			
Fixture Platform	Ø4.8		Ø6.0		
Type	Octa	Non-Octa	Octa	Non-Octa	
	CCSI <b>4850N</b>	CCSI <b>4850Y</b>	CCSI <b>6061N</b>	CCSI <b>6061Y</b>	
	●	○	●	○	

## UCLA Plastic(Cast) Abutment Octa Non-Octa

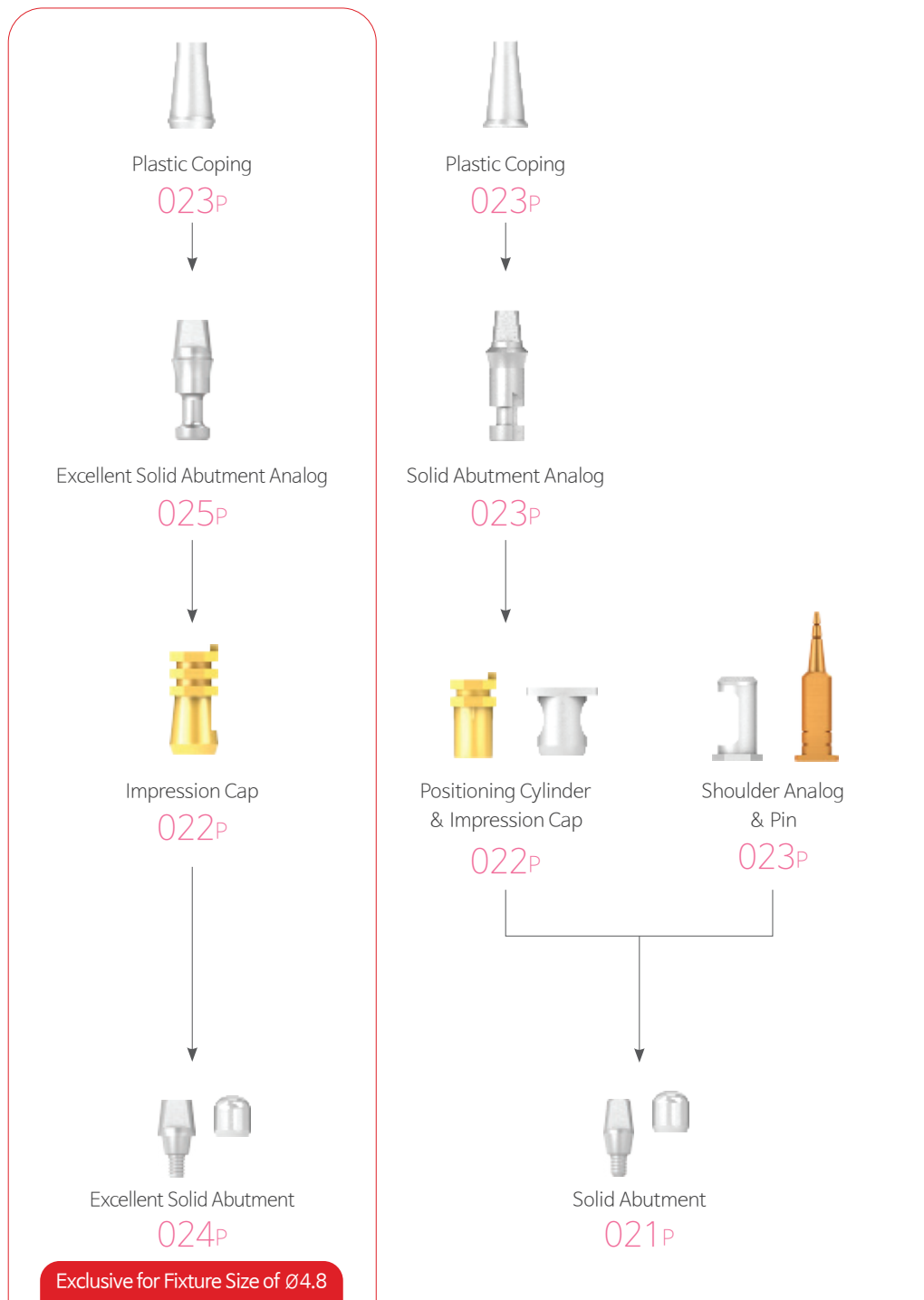
- After the customization, **non-precious metal alloy will be casted only.**
- Uses 1.2 Hex Driver
- Packing Unit : Abutment + Abutment Screw (STN 2008H)
- Tightening Torque : Tightening smoothly before casting, 35Ncm after casting



<b>N</b> Length 10		Unit:mm			
Fixture Platform	Ø4.8		Ø6.0		
Type	Octa	Non-Octa	Octa	Non-Octa	
	CAI 4812Y	CAI 4812N	CAI 6012Y	CAI 6012N	

# Cement – Retained Restorations

Solid / Excellent Solid Abutment



UF (II) Internal  
007P



Cover Screw  
010P



Closing Screw  
010P

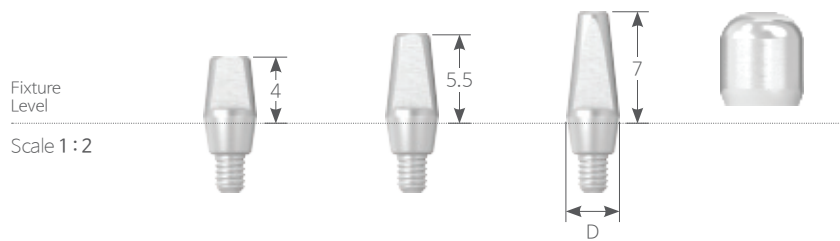


Healing Abutment  
011P

# Solid Abutment

► Abutment of cement retained type that uses dental cement to fix prosthesis in place

- Abutment and screw are in one-piece structure.
- Uses Solid Abutment Driver (HD 3512A)
- Packing Unit : Abutment + Protect Cap
- Tightening Torque : 35Ncm



<b>N</b>		Unit mm   Scale 1 : 2	
Fixture Platform		Ø4.8	Ø6.0
Diameter		Ø3.5	Ø4.3
Length 4		AMI 48354	AMI 60434
5.5		AMI 48355	AMI 60435
7		AMI 48357	AMI 60437

## Protect Cap

► Used to protect abutment in the patient's mouth and minimize the discomfort for the patient.

- Can be applied to substructure of temporary prosthesis.
- Convenient locking mechanism.



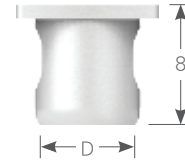
<b>N</b>		Unit mm   Scale 1 : 2	
Fixture Platform		Ø4.8	Ø6.0
Diameter		Ø5.5	Ø6.5
Abut. Length 4		HMI 48554	HMI 60704
5.5		HMI 48555	HMI 60705
7		HMI 48557	HMI 60707

# Solid Abutment Components

## Impression Cap

► Used for taking impression of Solid abutment.

- Different coloring provides easy identification for abutment diameter.
- Should be connected with Positioning Cylinder
- Convenient locking mechanism.



**N** Length 8

Unit mm | Scale 1:2

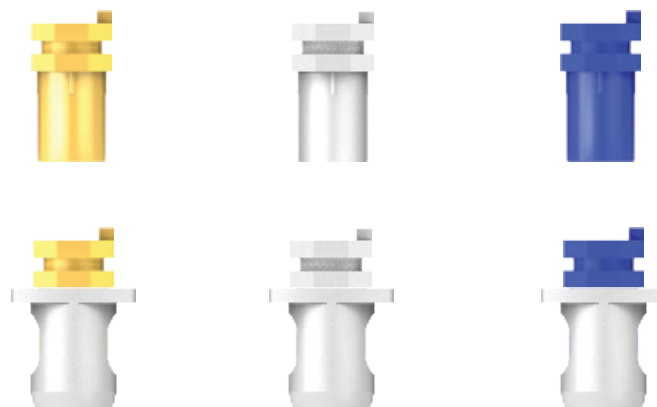
Fixture Platform	Ø4.8	Ø6.0
Diameter	Ø5.7	Ø7.0
	IPI 48001	IPI 60001

## Positioning Cylinder

► Used for taking impression of Solid abutment.

► Used by connecting a positioning cylinder to the solid abutment

- Convenient locking mechanism.



Connected Impression Cap

**N** Length 10

Unit mm | Scale 1:2

Fixture Platform	Ø4.8	Ø6.5
Abut. Length 4	●   IPI 48002Y	IPI 65002Y
5.5	○   IPI 48002G	IPI 65002G
7	●   IPI 48002B	IPI 65002B

## Shoulder Analog & Pin

► Impression component for modifying the Solid Abutment

- Fixture platform can be formed on a working model
- Pin should be connected with a Shoulder Analog to protect the working model



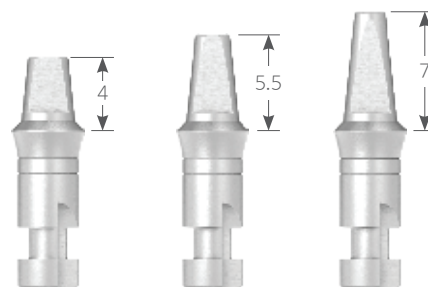
**N**

Unit mm | Scale 1 : 1.25

Fixture Platform	Ø4.8	Ø6.0
	RMI 48001	RMI 60001

## Solid Abutment Analog

- Solid Abutment is formed on working model.



**N**

Unit mm | Scale 1 : 2

Fixture Platform	Ø4.8	Ø6.0
Abut. Length 4	RMI 48004N	RMI 60004N
5.5	RMI 48005N	RMI 60005N
7	RMI 48007N	RMI 60007N

## Plastic Coping

Octa Non-Octa

► Can be used as prosthesis' frame work by installing Solid fixture analog.

- Different coloring provides easy identification on types of case.



**N**

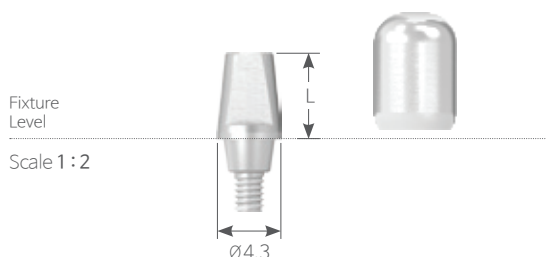
Unit mm | Scale 1 : 2

Fixture Platform	Ø4.8		Ø6.0	
Type	Octa	Non-Octa	Octa	Non-Octa
	IPI 48004	IPI 48004N	IPI 60004	IPI 60004N
	● Single	○ Bridge	● Single	○ Bridge

# Excellent Solid Abutment

► Abutment of cement retained type that uses dental cement to fix prosthesis in place

- Abutment and screw are in one-piece structure.
- Uses 1.2 Hex Driver (HD 4312A)
- Packing Unit : Abutment + Protect Cap
- Tightening Torque : 35Ncm



**N D Ø4.3**

Unit mm | Scale 1 : 1.25

Fixture Platform	$\text{Ø}4.8$		
Length	4	5.5	7



AMI 48434EX



AMI 48435EX



AMI 48437EX

## Protect Cap

► Used to protect abutment in the patient's mouth and minimize the discomfort for the patient.

- Can be applied to substructure of temporary prosthesis.
- Convenient locking mechanism.



**N D Ø5.5**

Unit mm | Scale 1 : 2

Fixture Platform	$\text{Ø}4.8$		
Abut. Length	4	5.5	7

HMI 48554EX

HMI 48555EX

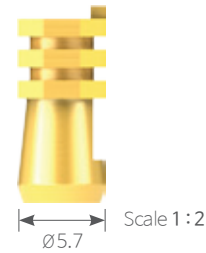
HMI 48557EX



# Excellent Solid Abutment Components

## Impression Cap

- ▶ Used to take impression of an excellent solid abutment
- Convenient locking mechanism.



**N D Ø5.7**

Unit mm | Scale 1:1.25

Fixture Platform	Ø4.8		
Abut. Length	4	5.5	7



IPI 48002YEX



IPI 48002GEX



IPI 48002BEX

## Excellent Solid Abutment Analog

- ▶ Excellent Solid Abutment is formed on a working model.



**N**

Unit mm | Scale 1:2

Fixture Platform	Ø4.8		
Abut. Length	4	5.5	7

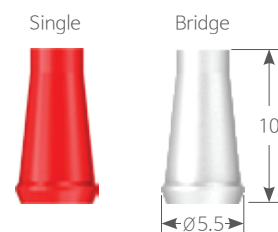
RMI 48004EX

RMI 48005EX

RMI 48007EX

## Plastic Coping

- ▶ Can be used as prosthesis' frame work by installing an Excellent Solid Abutment Analog
- Different coloring provides easy identification on types of case.  
(Single : Red, Bridge : White)



**N D Ø5.5 Length 10**

Unit mm | Scale 1:2

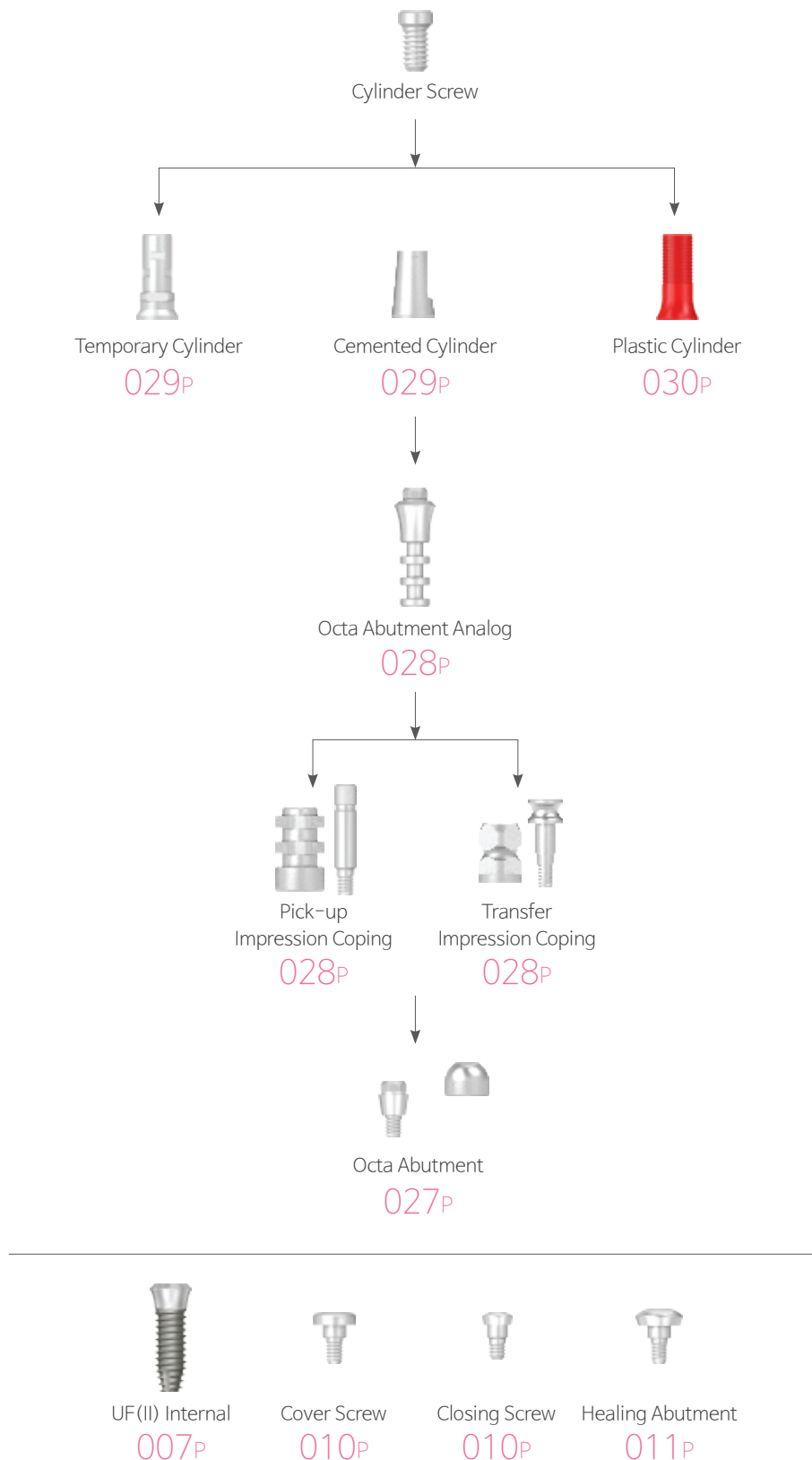
Fixture Platform	Ø4.8		
Type	● Single	○ Bridge	

IPI 48004EX

IPI 48004NEX

# Cement / Screw – Retained Restorations

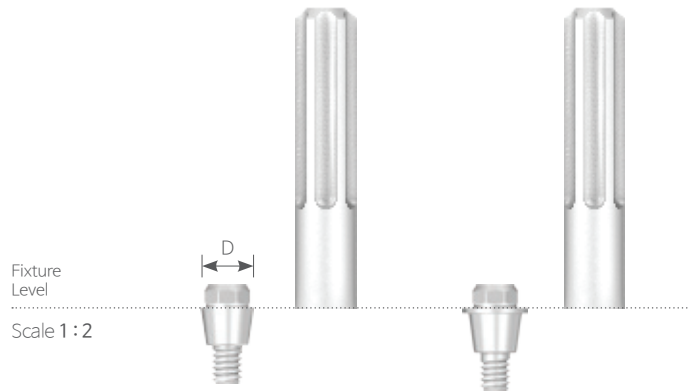
## Octa Abutment



# Octa Abutment

► Used to make cement or screw-maintaining prosthesis in a bridge case with dislocated path

- Designed to switch the internal connection fixture to external connection type and use a cylinder on top as prosthesis
- Uses Octa Abutment Driver (HD 3012A)
- Packing Unit : Abutment + Holder (SSOAH 4020 | Convenient to install in patient's mouth.)
- Tightening Torque : 35Ncm



<b>N</b>		Unit mm   Scale 1 : 1.25	
Fixture Platform	Ø4.8	Ø6.0	
Diameter	Ø3.5	Ø4.3	



ACI 48302



ACI 65302

## Healing Cap

► Used to protect Octa abutment in the patient's mouth and minimize the discomfort for the patient.

- Uses 1.2 Hex Driver
- Packing Unit : Healing Cap + Cylinder Screw (STI 2004H)
- Tightening Torque : 20Ncm



<b>N</b>		Unit mm   Scale 1 : 1.25	
Fixture Platform	Ø4.8	Ø6.0	
Length	4	4.5	



HCI 48504

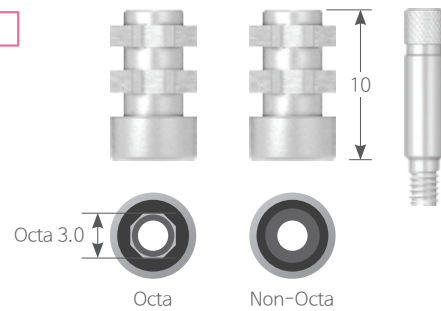


HCI 60704

# Octa Abutment Components

## Pick-up Impression Coping Octa Non-Octa

- Custom tray is used for pick-up type of impression taking.
- Uses 1.2 Hex Driver
- Packing Unit : Pick-up Impression Coping + Guide Pin (POI 2610)



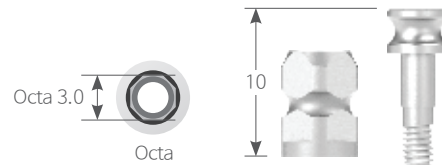
**N** Length 10

Unit mm | Scale 1 : 2

Fixture Platform	Ø4.8		Ø6.0	
Type	Octa	Non-Octa	Octa	Non-Octa
	IPI 48610	IPI 48610N	IPI 60710	IPI 60710N

## Transfer Impression Coping

- Ready-made tray is used for transfer type of impression taking.
- Double sided structure which increase the quality
- Uses 1.2 Hex Driver
- Packing Unit : Transfer Impression Coping + Coping Screw (IOTI 48010S)



**N** Length 10

Unit mm | Scale 1 : 2

Fixture Platform	Ø4.8	Ø6.0
	IOTI 48010	IOTI 60010

## Octa Abutment Analog

- Replicates position of Octa Abutment & implant on the working model.

**N**

Unit mm | Scale 1 : 1.25

Fixture Platform	Ø4.8	Ø6.0
------------------	------	------



RCI 48014

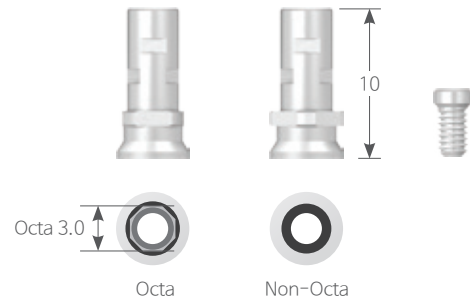


RCI 60014

# Octa Abutment Components

## Temporary Cylinder Octa Non-Octa

- ▶ Use the cylinder for the fabrication of temporary restorations.
- Available in both Octa type and Non-Octa type
- Uses 1.2 Hex Driver
- Packing Unit : Temporary Cylinder + Cylinder Screw (STI 2004H)
- Tightening Torque : 20Ncm



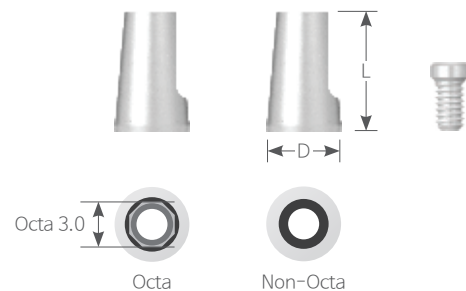
### **N** Length 10

Unit mm | Scale 1 : 2

Fixture Platform	Ø4.8		Ø6.0	
Type	Octa	Non-Octa	Octa	Non-Octa
	ITC 48010	ITC 48010N	ITC 60010	ITC 60010N

## Cemented Cylinder Octa Non-Octa

- Screw / Cement-Retained Cylinder
- Single Case for Octa Type
- Bridge Case for Non-Octa Type
- Uses 1.2 Hex Driver
- Packing Unit : Cemented Cylinder + Cylinder Screw (STI 2004H)
- Tightening Torque : 20Ncm



### **N**

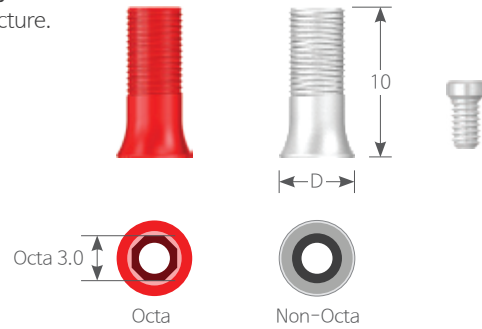
Unit mm | Scale 1 : 2

Fixture Platform	Ø4.8				Ø6.0	
Diameter	Ø5.0		Ø5.8		Ø6.4	
Type	Octa	Non-Octa	Octa	Non-Octa	Octa	Non-Octa
Length 8	ICC 48508	ICC 48508N	ICC 48588	ICC 48588N	-	-
9	-	-	-	-	ICC 60649	ICC 60649N

# Octa Abutment Components

## Plastic Cylinder Octa Non-Octa

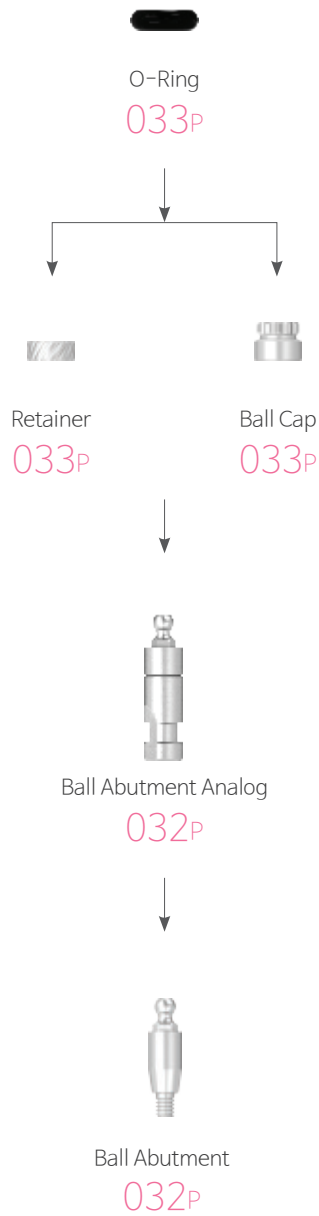
- After the customization, **non-precious metal alloy will be casted only.**
- Octa type is two-piece structure, Non-Octa type is One-piece structure.
- Single Case for Octa Type  
Bridge Case for Non-Octa Type
- Uses 1.2 Hex Driver
- Packing Unit : Plastic Cylinder + Cylinder Screw (STI 2004H)
- Tightening Torque : 20Ncm



<b>N</b> Length 10		Unit mm   Scale 1:2		
Fixture Platform	Ø4.8		Ø6.0	
Diameter	Ø5.0		Ø6.3	
Type	Octa	Non-Octa	Octa	Non-Octa
	API 48514	API 48514N	API 60714	API 60714N
	●	○	●	○

# Overdenture Restorations

## Ball Abutment



UF(II) Internal  
007P



Cover Screw  
010P



Closing Screw  
010P

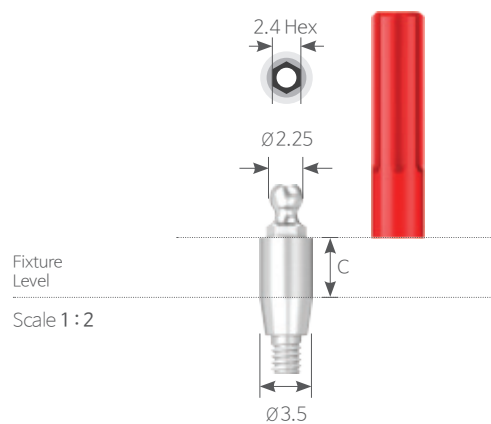


Healing Abutment  
011P

# Ball Abutment

► Used to create overdenture for edentulous patient.

- O-Ring : Dental Lab use(Black) , Clinic use(Orange)
- Retain the fixation force by changing O-Ring
- Path recovery to the maximum of 20°
- Uses Ball Abutment Driver (HD 2406A)
- Packing Unit : Abutment + Holder (BAH 3520 + Holder installation : Convenient to install in patient's mouth) + O-Ring (OR 04500)
- Tightening Torque : 35Ncm



<b>N D Ø3.5</b>	Unit mm   Scale 1 : 1.25		
Fixture Platform	Ø4.8 / Ø6.0		
Cuff	0	2	4



## Ball Abutment Analog

► Replicates position of Ball Abutment & implant on the working model.



<b>N D Ø4.1</b>	Unit mm   Scale 1 : 2	
Fixture Platform	Ø4.8	
<b>RBN 40412</b>		



# Ball Abutment Components

## Retainer

- Advantageous when occlusal distance is low compared to Ball Cap.
- Packing Unit : Retainer + O-Rings(OR 0450B + OR 0450O)



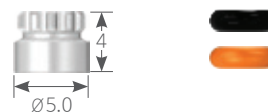
**N D Ø5.0** Length 2

Unit mm | Scale 1 : 2

Code	RT 0502
------	---------

## Ball Cap

- Outstanding consistency and clip-on
- Packing Unit : Ball Cap + O-Rings(OR 0450B + OR 0450O)



**N D Ø5.0** Length 4

Unit mm | Scale 1 : 2

Code	BC 5004
------	---------

## O-Ring

- Black : For dental lab use(Overdenture)
- Orange : For clinical use(over 6Ncm)
- Packing Unit : O-Ring 1 Piece



**N D Ø4.5**

Unit mm | Scale 1 : 2

Code	OR 0450B	OR 0450O
Color	● Black	● Orange

# H-Scanbody

· H-Scanbody and Fixture Octa direction

Top view



**N** D Ø5.0

Unit mm | Scale 1 : 1.25

Fixture Platform	Ø4.8		
Length	4	6	8
			Jig



Screw | IHSB 541 SSCAN 2009H | IHSB 561 SSCAN 2011H | IHSB 581 SSCAN 2013H | JIG 501

# Scan Adapter

· Packing Unit : Scan Adapter + Screw  
 · Tightening Torque : 5~8Ncm

**N**

Unit mm | Scale 1 : 1.25

Fixture Platform	Ø4.8 / Ø6.0	
Length	9	15
		Screw



SCAN 12 | SCAN 12-15 | SSC 2008H

# Pre-Milled Bar

· Packing Unit : Pre-Milled Bar + Screw (STN 2008H) 2ea  
 · Tightening Torque : 30~35Ncm



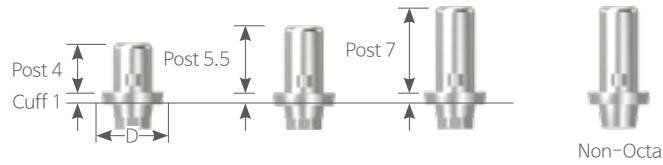
**N**

Unit mm | Scale 1 : 1

Type	Hex	
Fixture Platform	Ø4.8 / Ø6.0	
Diameter	Ø10	Ø12
	CBSI 01	CBSI 02

# Hybrid Link

- Packing Unit : Hybrid Link + Screw (STN 2008x)
- Tightening Torque : 30~35Ncm



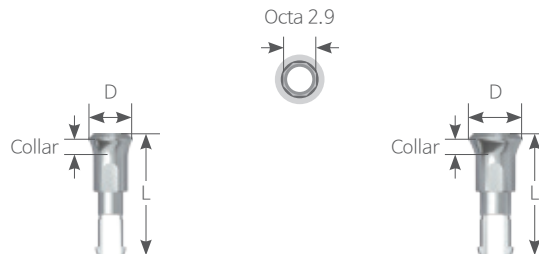
**N D Ø5.0**

Unit mm | Scale 1 : 1.65

Type			Octa	Non-Octa
Fixture Platform			Ø4.8	
Diameter Ø5.0	Post 4	Cuff 1	SIHL 504010	SIHL 50401N
	Post 5.5	Cuff 1	SIHL 505010	SIHL 50501N
	Post 7	Cuff 1	SIHL 507010	SIHL 50701N

# Digital Fixture Analog

- Provides anchor point for abutment on 3D printed working model.



**N**

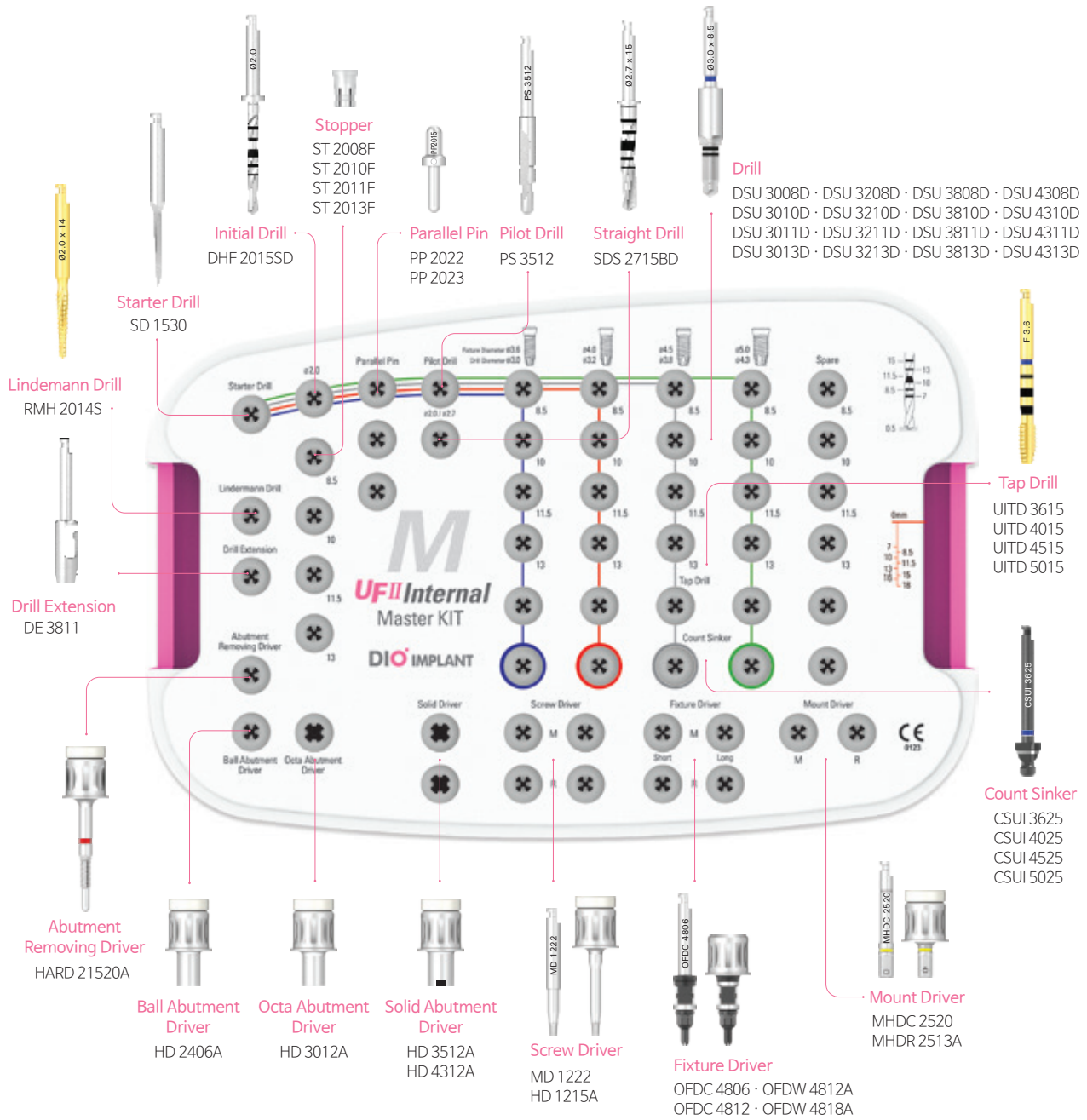
Unit mm | Scale 1 : 1.2

Fixture Platform	Ø4.8	Ø6.0
Collar 1.8 Length 13.45	DAUI 4818	DAUI 6018
Collar 2.0 Length 13.65	DAUI 4820	-
Collar 2.8 Length 14.45	DAUI 4828	DAUI 6028

# UF II Internal Master Kit Kit Code I UF 12

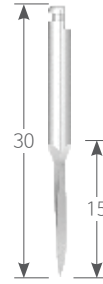
- Kit composed of drill with outstanding cutting force and durability, etc.
- UF II Internal  $\varnothing 3.6$   $\varnothing 4.0$   $\varnothing 4.5$   $\varnothing 5.0$  Fixture

Unit mm | Drill Scale 1 : 0.9



# Surgical Tool

## Starter Drill



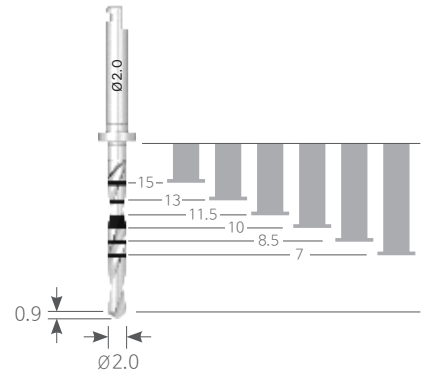
**K**

Unit mm | Scale 1 : 1.2

Code

SD 1530

## Initial Drill



**K** D Ø2.0

Unit mm | Scale 1 : 1.2

Code

DHF 2015SD

## Stopper for Initial Drill (DHF 2015SD)

**K**

● Sold separately

Unit mm | Scale 1 : 1.2

Code

ST 2015F

ST 2013F

ST 2011F

ST 2010F

ST 2008F

ST 2007F



## Parallel Pin

**K**

● Sold separately

Unit mm | Scale 1 : 1

Code

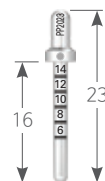
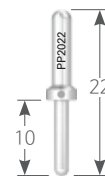
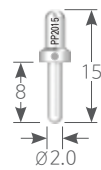
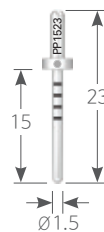
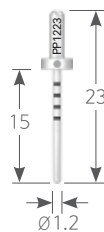
PP 1223

PP 1523

PP 2015

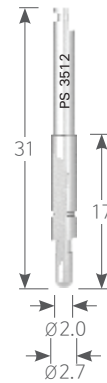
PP 2022

PP 2023



# Surgical Tool

## Pilot Drill



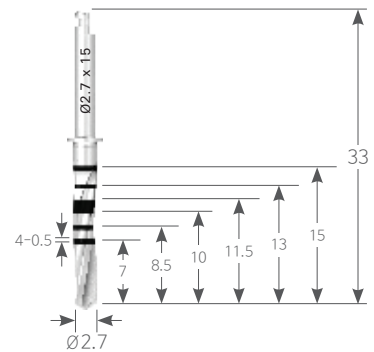
**K** D  $\text{Ø}2.7$

Unit mm | Scale 1 : 1.2

Code

PS 3512

## Straight Drill



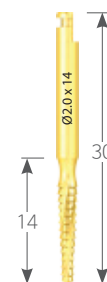
**K** D  $\text{Ø}2.7$

Unit mm | Scale 1 : 1.2

Code

SDS 2715BD

## Lindemann Drill



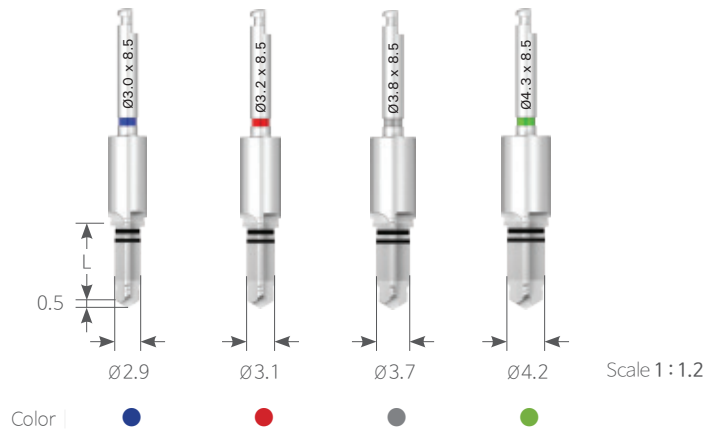
**K** D  $\text{Ø}2.0$

Unit mm | Scale 1 : 1.2

Code

RMH 2014S

# Drill



## **K** D Ø2.9

● Sold separately

Unit mm | Scale 1:1

Code	DSU 3008D	DSU 3010D	DSU 3011D	DSU 3013D	DSU 3015D	DSU 3018D
Length	8.5	10	11.5	13	15	18

## **K** D Ø3.1

Unit mm | Scale 1:1







Code	DSU 3208D	DSU 3210D	DSU 3211D	DSU 3213D	DSU 3215D	DSU 3218D
Length	8.5	10	11.5	13	15	18

# Surgical Tool

**K D Ø3.7**







● Sold separately

Unit mm | Scale 1:1

Code	DSU 3808D	DSU 3810D	DSU 3811D	DSU 3813D	DSU 3815D	DSU 3818D
						
Length	8.5	10	11.5	13	15	18

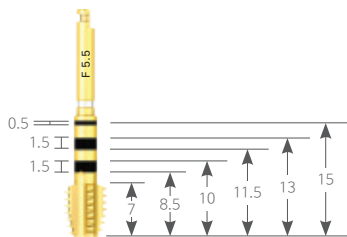
**K D Ø4.2**

Unit mm | Scale 1:1

Length	DSU 4308D	DSU 4310D	DSU 4311D	DSU 4313D	DSU 4315D	DSU 4318D
						
Length	8.5	10	11.5	13	15	18



## Tap Drill



● Sold separately

Unit mm | Scale 1:1

**K**

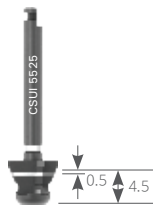
Fixture Size	Ø3.6	Ø4.0	Ø4.5	Ø5.0	Ø5.5
Code	UITD 3615	UITD 4015	UITD 4515	UITD 5015	UITD 5515



Color



## Count Sinker



● Sold separately

Unit mm | Scale 1:1

**K**

Fixture Size	Ø3.6	Ø4.0	Ø4.5	Ø5.0	Ø5.5
Code	CSUI 3625	CSUI 4025	CSUI 4525	CSUI 5025	CSUI 5525



Color

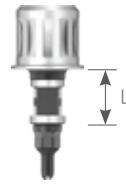


# Surgical Tool

## Fixture Driver

Machine

Ratchet



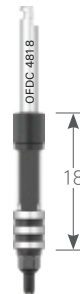
Scale 1 : 1.2

**K** Machine Octa Ø2.9

● Sold separately

Unit mm | Scale 1 : 1

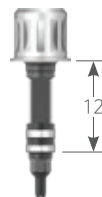
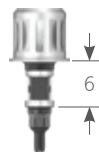
Code	OFDC 4806	OFDC 4812	OFDC 4818
------	-----------	-----------	-----------



**K** Ratchet Octa Ø2.9

Unit mm | Scale 1 : 1

Code	OFDW 4806A	OFDW 4812A	OFDW 4818A
------	------------	------------	------------



## Drill Extension

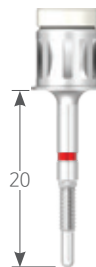
· Length is extended 15.5mm by connecting to the drill.



<b>K</b>	Unit mm   Scale 1 : 1.2
Code	DE <b>3811</b>

## Abutment Removing Driver

· Used to remove Abutment from the patient's mouth when connected with implant and Hex of Abutment is fractured.



<b>K</b>	Unit mm   Scale 1 : 1.2
Code	HARD <b>21520A</b>

# Surgical Tool

## Screw Driver Machine

· Used to connect Abutment Screw using Abutment Screw for Machine.

### **K** Slot 0.5

● Sold separately

Unit mm | Scale 1:1

Code	MD 0522	MD 0530
------	---------	---------



### **K** Hex 0.9

Code	MD 0922	MD 0930
------	---------	---------



### **K** Hex 1.2

● Sold separately

Code	MD 1219	MD 1222	MD 1230	MD 1234	MD 1239
------	---------	---------	---------	---------	---------



### **K** Torx 1.7

Code	MD 1719	MD 1722	MD 1730
------	---------	---------	---------



# Screw Driver Ratchet

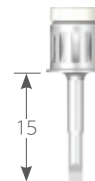
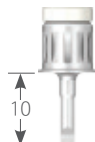
· Used to connect Abutment Screw using Abutment Screw for Ratchet.

● Sold separately

Unit mm | Scale 1:1

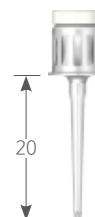
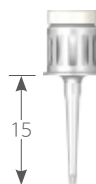
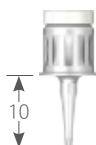
## **K** Slot 0.5

Code	HD 0510A	HD 0515A
------	----------	----------



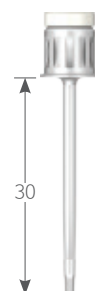
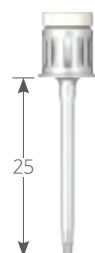
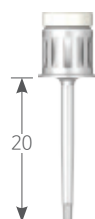
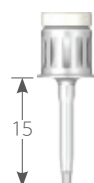
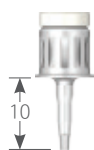
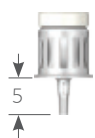
## **K** Hex 0.9

Code	HD 0910A	HD 0915A	HD 0920A
------	----------	----------	----------



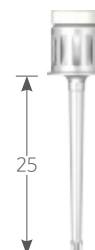
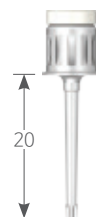
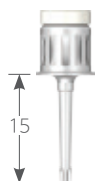
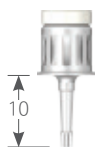
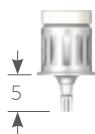
## **K** Hex 1.2

Code	HD 1205A	HD 1210A	HD 1215A	HD 1220A	HD 1225A	HD 1230A
------	----------	----------	----------	----------	----------	----------



## **K** Torx 1.7

Code	HD 1705A	HD 1710A	HD 1715A	HD 1720A	HD 1725A
------	----------	----------	----------	----------	----------



# Surgical Tool

## Solid Abutment Driver

· Used to connect Abutment to Fixture using Solid Abutment Screw for Ratchet.

**K** ● Sold separately  
Unit mm | Scale 1:1

Code	<b>HD 3506A</b>	HD 3512A
------	-----------------	----------

6

12

## Excellent Solid Abutment Driver

**K** Unit mm | Scale 1:1

Code	<b>HD 4306A</b>	HD 4312A
------	-----------------	----------

6

12

## Ball Abutment Driver Ratchet

**K** Unit mm | Scale 1:1

Code	HD 2406A	<b>HD 2412A</b>
------	----------	-----------------

6

12

## Octa Abutment Driver

**K** Unit mm | Scale 1:1

Code	<b>HD 3006A</b>	HD 3012A
------	-----------------	----------

6

12

# Fixture Mount Driver Machine

· Used to place Mount Fixture.



● Sold separately

Unit mm | Scale 1 : 1

**K** Hex 2.5

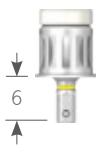
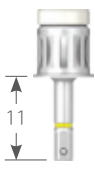
Code	MHDC 2520	MHDC 2525
		

**K** Hex 3.0


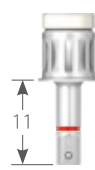
Code	MHDC 3020	MHDC 3025
		

# Fixture Mount Driver Ratchet

**K** Hex 2.5

Code	MHDR 2513A	MHDR 2518A
		

**K** Hex 3.0

Code	MHDR 3013A	MHDR 3018A
		

# Surgical Tool

## Depth Gauge

· Used to accurately measure the depth of residual alveolar bone.



**K** D Ø2.0

Unit mm | Scale 1 : 1

Code

DPG 2050

## Open Wrench

- Used to fix Mount for dividing Screw.
- Used to remove Mount if the bone is soft.
- 30 ° Neck angle for convenience in intraoral insertion.



**K**

Unit mm | Scale 1 : 1

Code

OW 004

## Torque Wrench

· To place the Fixture using Fixture Driver.



**K**

Unit mm | Scale 1 : 1

Code

DTW 0060



# Surgical Protocol

